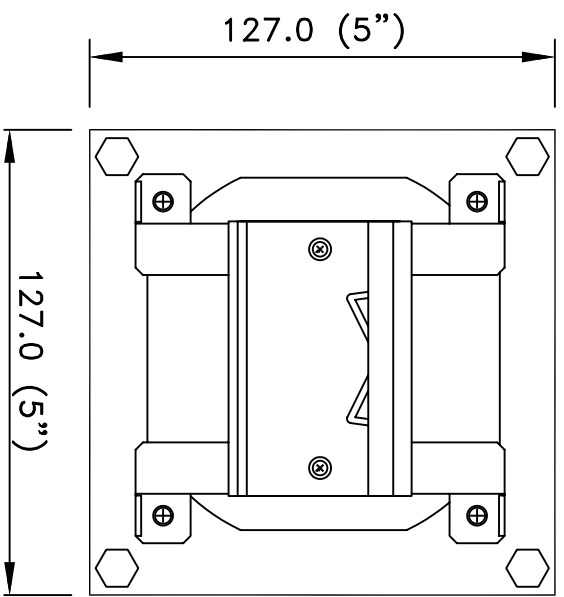
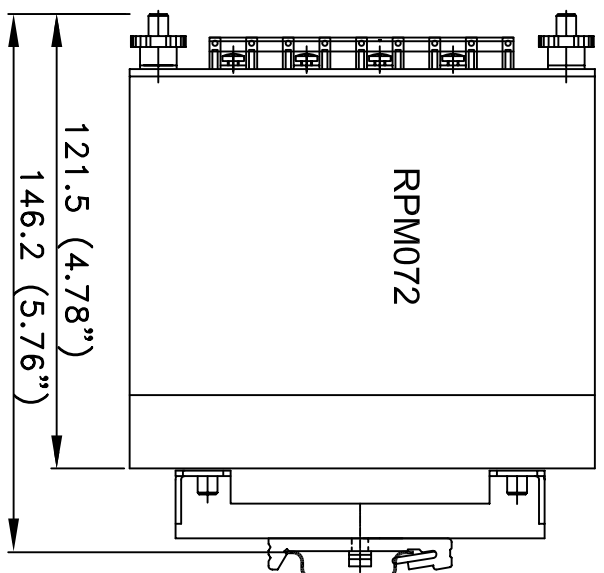


DIMENSIONS

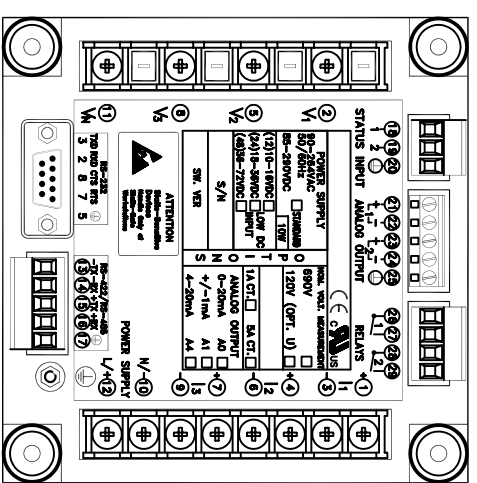
FRONT VIEW



SIDE VIEW



REAR VIEW



MOUNTING

DIN RAIL

