

Quick Start Guide

PM175 Series Powermeter



Introduction

The PM175 is a compact, multi-function, three-phase AC powermeter and power quality analyzer specially designed to meet the requirements of users ranging from electrical panel builders to substation operators.

If you are familiar with the PM175 Powermeter, use this quick start guide to prepare the units for operation. If you are not familiar with the PM175, read the Installation and Operation Manual carefully before installing and using the unit.

This quick start guide does not contain information on all the features of PM175. See the Installation and Operation Manual for full operating details and features.

Assembly Instructions

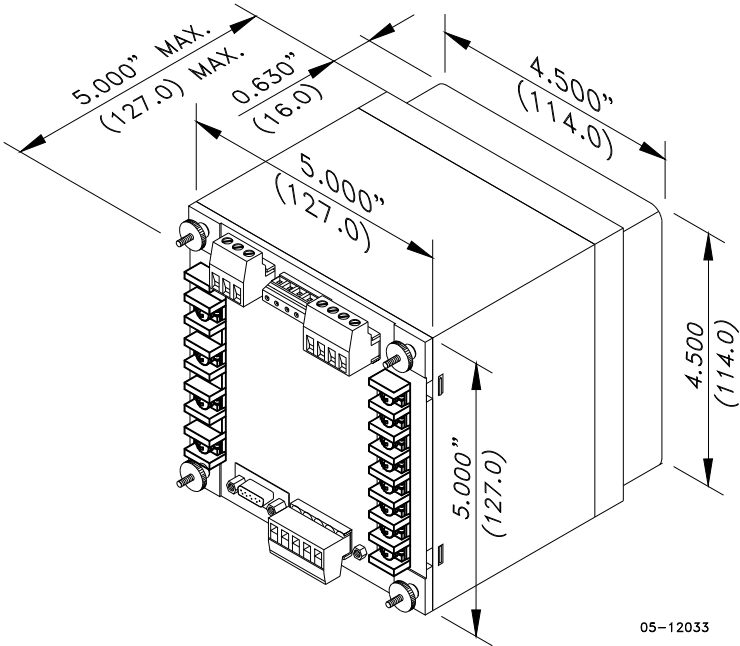
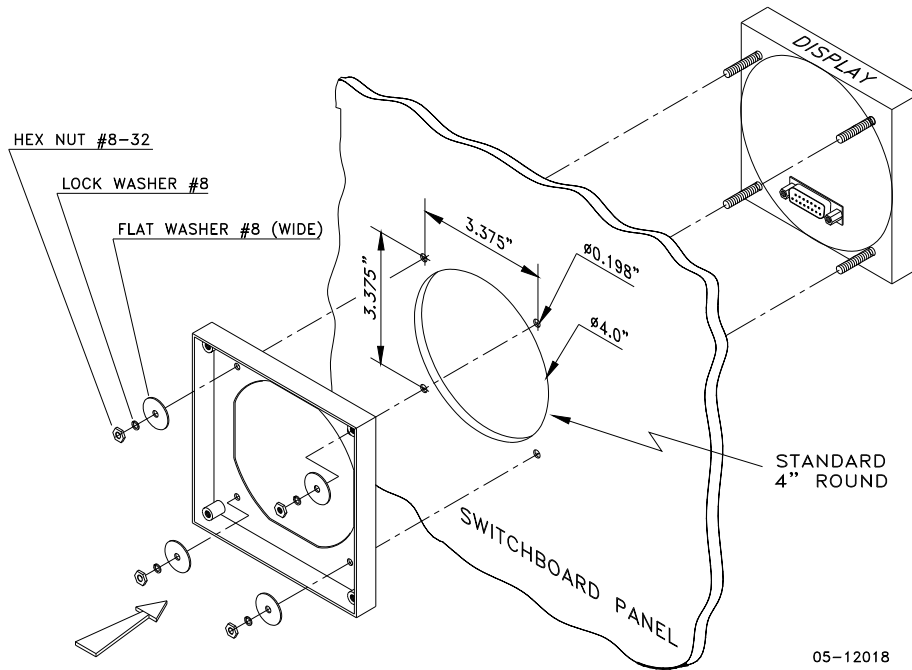


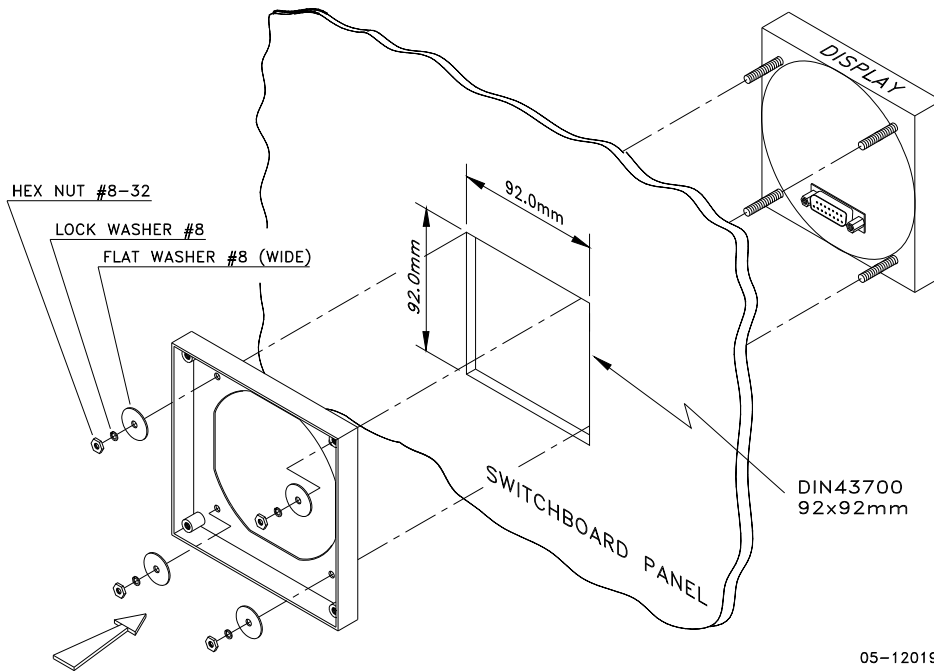
Figure 1: Instrument Dimensions

The PM175 may be mounted in a standard 4-inch round or DIN92 square cutout.



05-12018

Figure 2 (ANSI 4" round cutout): Mounting the display unit



05-12019

Figure 3 (DIN 92x92mm square cutout): Mounting the display unit

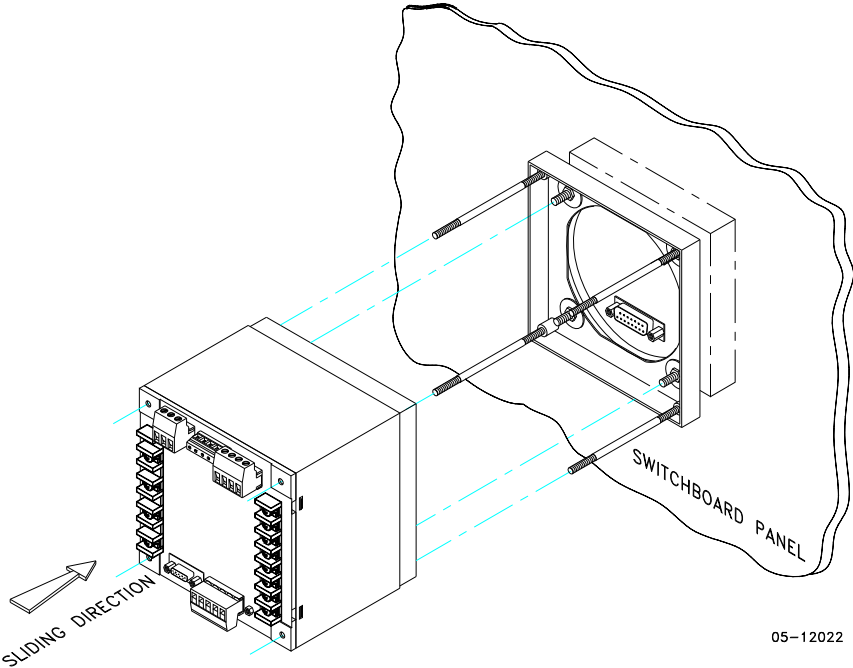


Figure 4: Slide and position the meter on locating studs

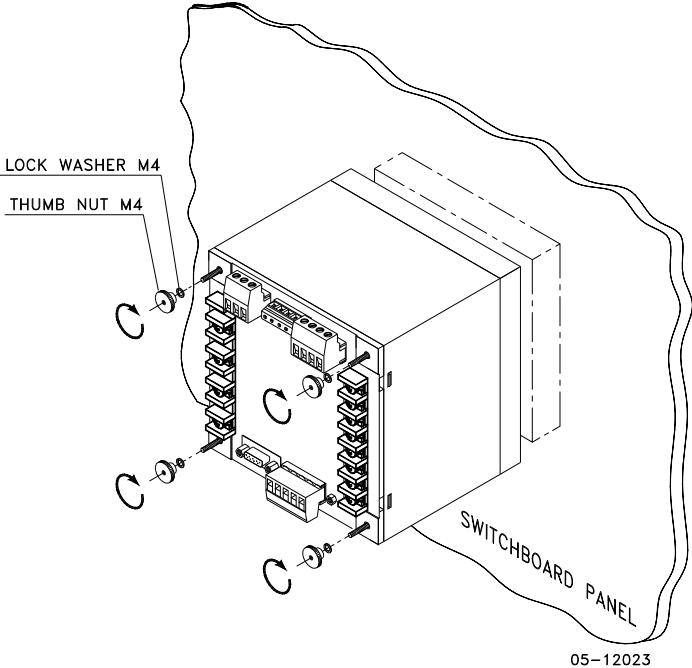


Figure 5: Affix the meter using the thumb nuts (please do not over-tighten the nuts)

Electrical Installation

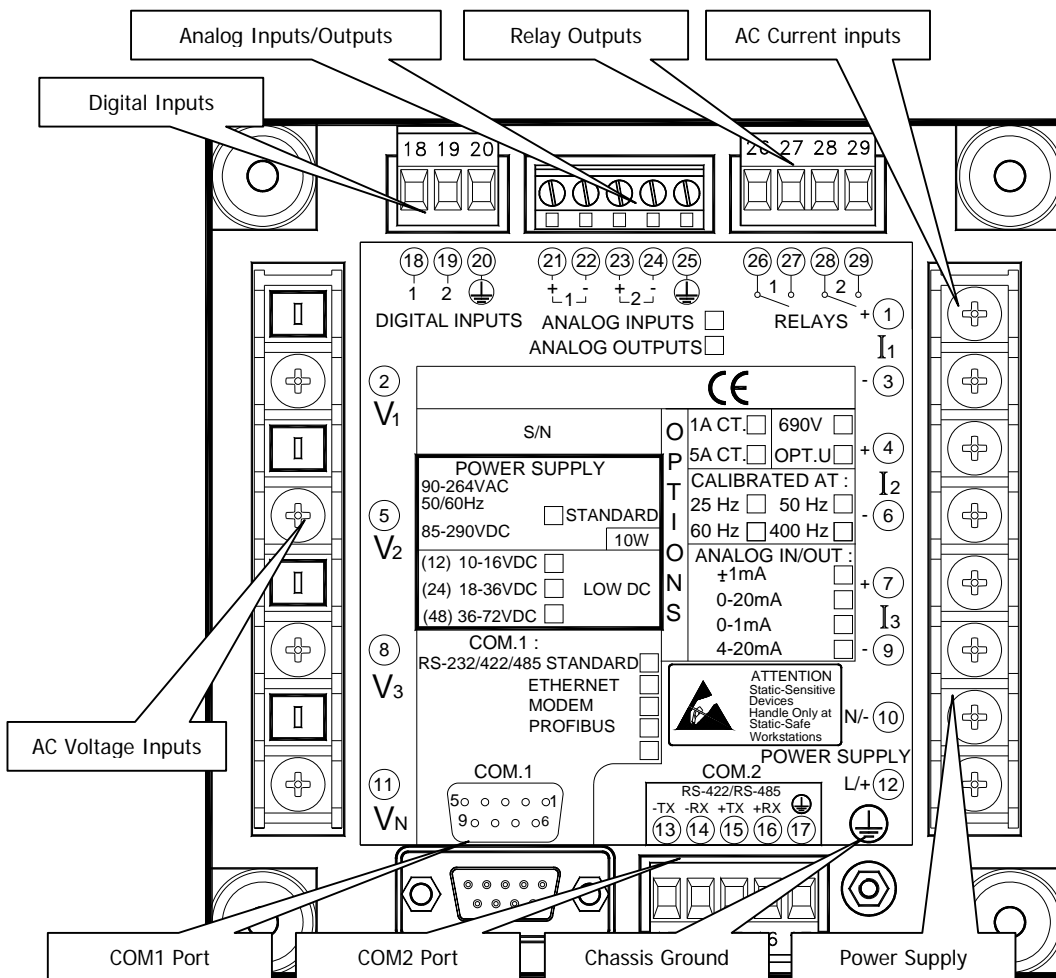
IMPORTANT!

Only qualified personnel can perform setup.

All incoming power sources must be turned off during installation. During operation of the Powermeter, hazardous voltages are present on the input terminals. Failure to observe precautions can result in serious or even fatal injury, or damage to equipment.

Refer to the installation and operation manual for further information.

The figure below shows all the connectors and terminals on the rear side of the PM175.



05-12011

Figure 6: Connections and Terminals

The diagrams below show typical installations of the PM175.

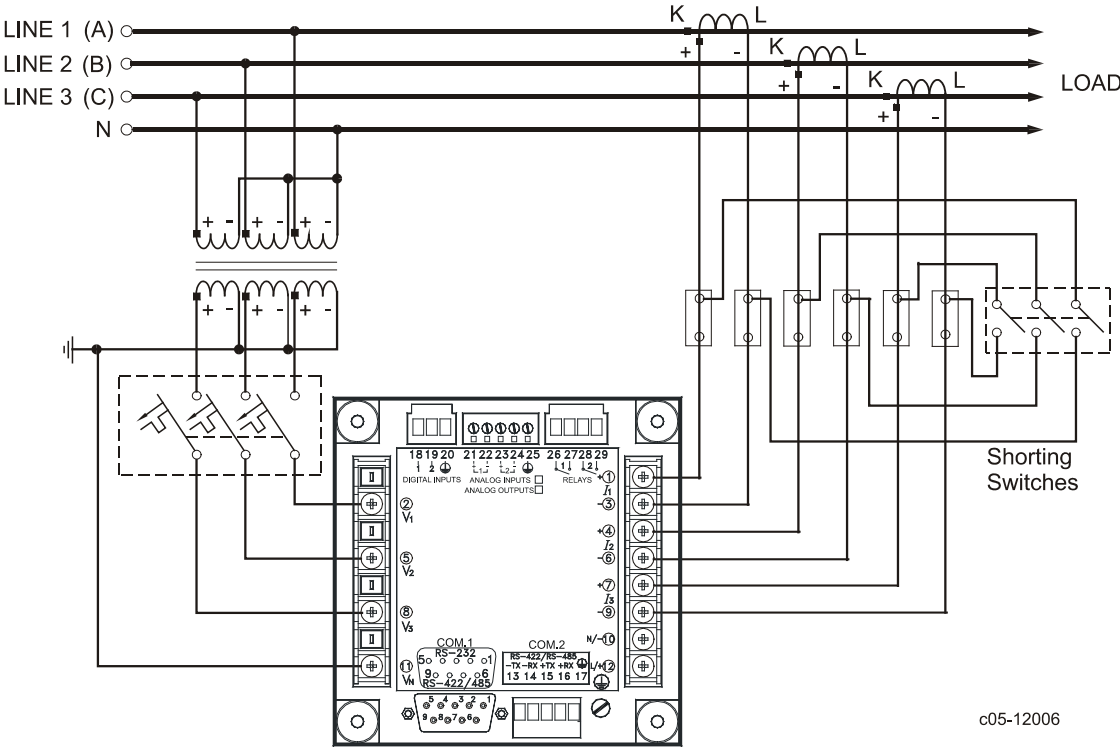


Figure 7: Typical Installation 2

The typical installation diagram above shows a 4-Wire Wye 3-element connection using 3 PTs and 3 CTs. The wiring mode is 4LL3 or 4Ln3.

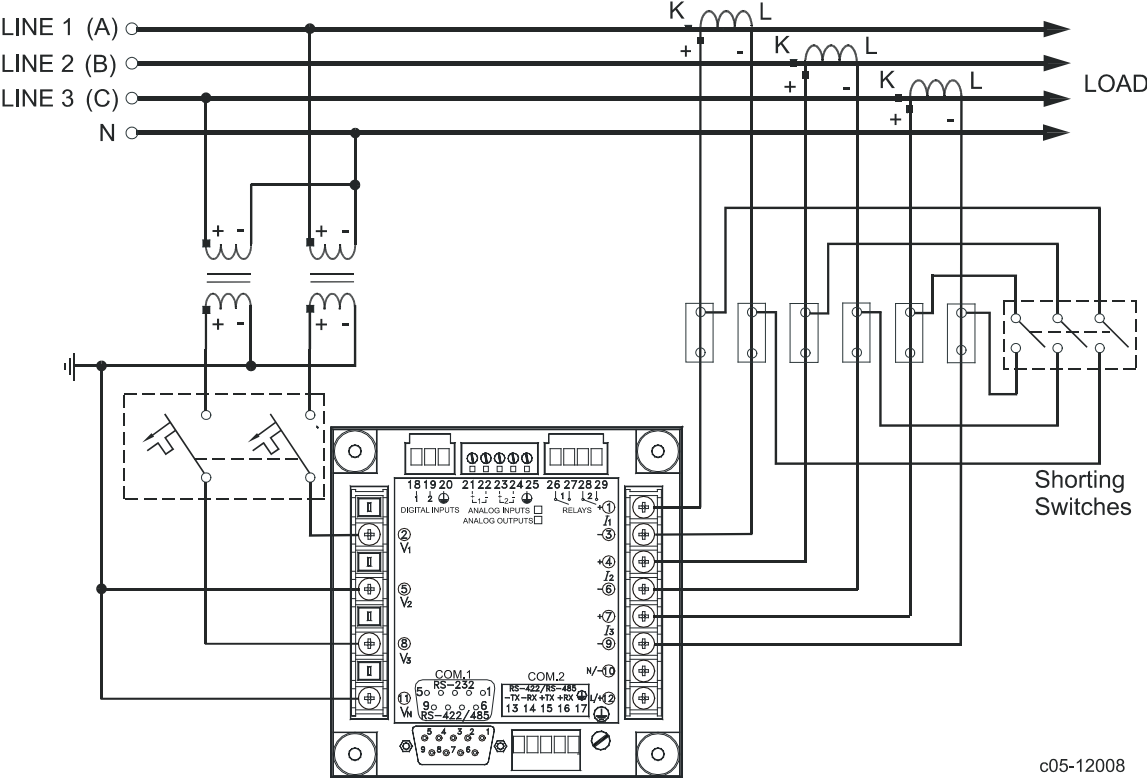


Figure 8: Typical Installation 2

The typical installation diagram above shows a 4-Wire Wye 2½-element connection using 2 PTs and 3 CTs. The wiring mode is 3LL3 or 3Ln3. The voltages must be balanced for the configuration to provide accurate power measurements.

There are approximately nine different wiring configurations in the PM17X Series. Refer to the Installation and Operational Manual for additional configurations.

For electrical installation of the display panel follow the following steps:

1. Connect the remote display using the pinout tables below, either for a self-powered display or a remote powered display. Refer to the Installation and Operation Manual for the wiring schematic diagrams.

Pinout for a self-powered remote display

PM175 D15 Female Pinout	Signal	Remote Display D15 Male Pinout
1	+12V	1
5	RS-485 + (plus)	5
7	RS-485 - (minus)	7
8	GND	8
15	Chassis	15

Pinout for a remote display powered from an external 12V DC, 350 mA power source

PM175 D15 Female Pinout	Signal	Remote Display D15 Male Pinout
1 N.C.	+12V	1
5	RS-485 + (plus)	5
7	RS-485 - (minus)	7
8 N.C.	GND	8
15	Chassis	15

2. Connect the DC or AC power.
3. Connect the chassis ground.
4. Connect the required wiring configuration.
5. Connect the I/O connections as required. For I/O ratings, see the Technical Specifications section in the Installation and Operation Manual.

Using the Navigation Buttons



Figure 9: PM175 Navigation buttons

Setup is performed directly from the display panel or via the communication ports using PAS communication software.

In Data Display mode, the navigation buttons function as follows.

The **MIN/MAX** button switches to the Min/Max Maximum Demands display pages. When briefly pressed again, it switches back to the common measurements display.

The **PQ/ESC** button switches between different power quality/harmonic displays: Total Harmonics, Individual Voltage and Current Harmonics, and Power Quality parameters – short-term (Pst) and long-term (Plt) flicker, and voltage and current negative sequence unbalance. When briefly pressed once again, it switches back to the common measurements display.

The **UP** and **DOWN** arrow buttons, labeled by arrowheads, scroll forwards and backwards through the display pages. Pressed briefly, they move one page forward or backward. If you hold the button down, the display pages are scrolled at rate of a twice per second.

Pressing both the UP and DOWN arrow buttons together returns to the first page within the current display.

The **SELECT** button operates once it's released. The button has two functions:

- When pressed briefly, switches to programming mode.
- When pressed together with the ENTER button for more than 5 seconds, it resets Min/Max records, maximum demands, or energies depending on the currently displayed page. If the meter is password protected, and a simple reset of data from the display is not allowed, the action has no effect.

The **ENERGY/ENTER** button switches to the Energy display. If TOU registers are configured in the meter, you can repeatedly press this button to scroll through all available TOU registers. When briefly pressed once again, it switches back to the common measurements display

Auto Return

If no buttons are pressed for 30 seconds while the display Auto **Return** option is enabled, the display automatically returns to the main screen from any other measurement display.

The Auto Return option is enabled through the Display Setup menu

Auto Scroll

If no buttons are pressed for 30 seconds while in the common measurements display, and the Auto Scroll option is enabled in the meter, the display automatically scrolls through all available pages. The scroll interval is adjustable in the Display Setup menu.

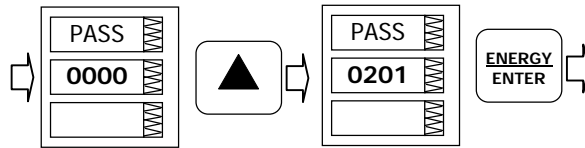
To stop auto scrolling, briefly press the SCROLL button.

Basic Setup

Entering the Password

The setup change menu is secured by a four-digit user password. The meter is primarily shipped with the password preset to 0, and password protection disabled. You can change the password and enable password protection through the Access Control menu.

If authorization is not required, just press the ENTER button to move to the Main menu; otherwise enter a correct password to be authorized to access the meter setup.



To enter the password:

1. Adjust the first digit with the UP and DOWN arrow buttons.
2. Press the SELECT button to advance to the next digit.
3. Adjust the remaining password digits in the same manner.
4. Press ENTER to confirm the password.

If the password entered is correct, you move to the Main menu, otherwise you return to the previous menu.

Basic Configuration

Use the navigation buttons to set up the PM175 as required.

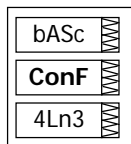
The table below shows the available options. The asterisk * shows the default settings.

The basic menu allows you to configure the basic meter settings that define the general operating characteristics of the device.

To enter the menu, select the "bASc" entry from the main menu by the UP and DOWN arrow buttons, and then press the ENTER button.

To select a setup option:

1. Press the SELECT button to activate the middle window.
2. Use the UP and DOWN arrow buttons to scroll to the desired option.



To change the option:

1. Press the SELECT button to activate the lower window.
2. Use the UP and DOWN arrow buttons to select the desired option.
3. Press ENTER to confirm your changes and to store your new setting, or press ESC to discard changes.
4. Press ESC to exit the menu.

The table below lists the available options.

Label	Parameter	Options	Default	Description
ConF	Wiring connection (configuration) mode	3OP2 4LN3 3DIR2 4LL3 3OP3 3LN3 3LL3 3BLN3 3BLL3	4Ln3	The wiring connection of the device
Pt	PT ratio	1.0-6500.0	1.0	The phase potential transformer's primary to secondary ratio
Pt.F	PT Ratio multiplier	×1, ×10	×1	PT Ratio multiplication factor. Used in extra high voltage networks to accommodate the PT ratio for 500 kV and higher networks.
U.SEC	Nominal secondary voltage	10-690 V	120 V	The nominal secondary line-to-neutral (in configurations with a neutral wire) or line-to-line voltage (in 3OP2, 3OP3 and 3DIR modes) voltage. Used as a reference voltage for the EN50160 evaluation.
Ct	CT primary current	1-20,000 A	5 A	The primary rating of the phase current transformer
d.P	Power block demand period	1, 2, 3, 5, 10, 15, 20, 30, 60 min, E=external sync	30 min	The length of the demand period for power demand calculations. If the external synchronization is selected, a pulse front on the digital input D11 denotes the start of the demand interval.
nd.P	The number of blocks in the sliding window	1-15	1	The number of blocks to be averaged for sliding window demands
Ad.P	Ampere, volt and THD demand period	0-1800 sec	900 sec	The length of the demand period for ampere, volt and THD demand calculations
Freq	Nominal frequency	50,60 Hz	60 Hz	The nominal line frequency
LoAd	Maximum demand load current	0-10000 A	0	The maximum demand load current (0 = CT primary)

-
- △ Always specify the wiring mode and transformer ratings prior to setting up setpoints and analog outputs.
 - △ The maximum value for the product of the phase CT primary current and PT ratio is 57,500,000. If the product is greater, power readings are zeroed.
-

Setting the Communications

You communicate with the meter via a changeable COM1 communication port, or through a second factory set serial RS-485/RS-422 COM2 port. Depending on what was ordered, the COM1 port is equipped with an RS-232/RS-422/RS-485 serial interface, with a dial-up modem for communicating through public telephone lines, or with an Ethernet module for communicating through the Internet.

To configure the PM175 communication via PAS:

1. Select Configuration from the Tools menu. Under the Communication group of the Instrument Setup tab, select the type of a connection for your device.
2. Enter the device communication address you assigned to the PM175.
3. In the Sampling Rate box, select a rate at which PAS updates data on your screen when you continuously poll the device in the PAS Data Monitor.

The communication protocol and port settings in PAS must match the settings made in your device.

COM1 Settings

Code	Parameter	Options	Description
Prot	Communications protocol	ASCII, rtu*, dnP3	ASCII, Modbus RTU or DNP3.0 protocol
rS	Port Interface, depends on order	232 = RS-232 485 = RS-485 422 = RS-422 dial = Dial-up Modem Eth. = Ethernet	For non-serial interfaces this is not changeable, it is automatically detected by the meter
Addr	Device Address	Modbus: 1 (default) -247 DNP3.0: 0 (default) -255	
bAud	Baud rate	300 - 115,200 bps (19,200 bps*)	
dAtA	Data format	7E, 8E (7/8 bits, even parity), 8N* (8 bits, no parity) 7E data format should not be used with the Modbus RTU and DNP3 protocols	
H.Sh	Handshaking (flow control)	nonE* = no flow control SOft = software (XON/XOFF) HARd = hardware (CTS)	
rtS	RTS mode	nonE* = not used Forc = RTS is permanently asserted Ctrl = RTS is asserted during the transmission	

COM2 Settings

Code	Parameter	Options	Description
Prot	Communications protocol	Rtu* = Modbus RTU ASCII = Modbus ASCII dnP3 = DNP3	The communications protocol supported by the port
rS	Port Interface	485* = RS-485 422 = RS-422	
Addr	Address	Modbus: 1*-247 DNP3: 0-65532	Device network address
bAud	Baud rate	300-115,200 bps (19,200 bps*)	The port baud rate.
dAtA	Data format and parity	7E, 8N*, 8E	7E data format should not be used with the Modbus RTU and DNP3 protocols

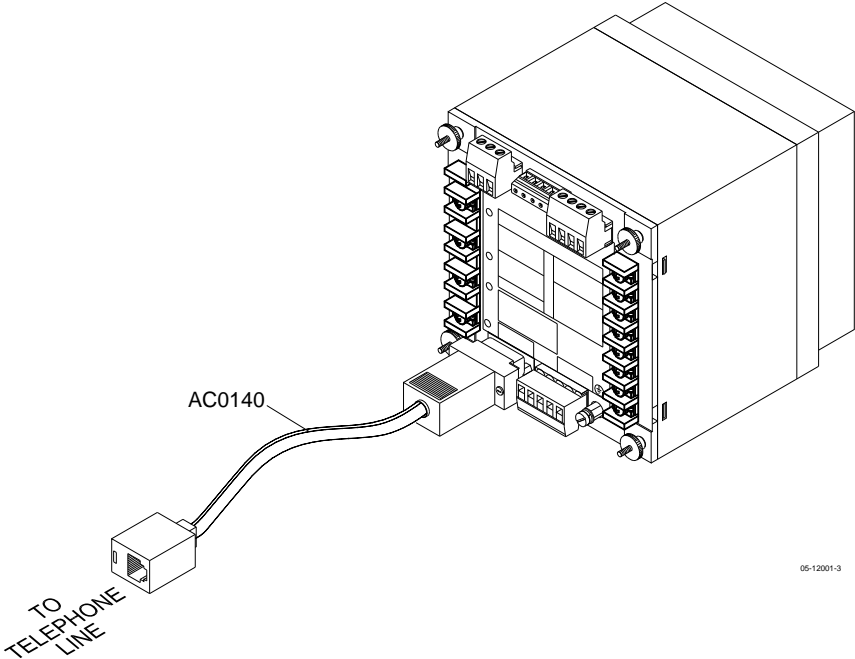


Figure 10 COM1: Telephone Line Connection

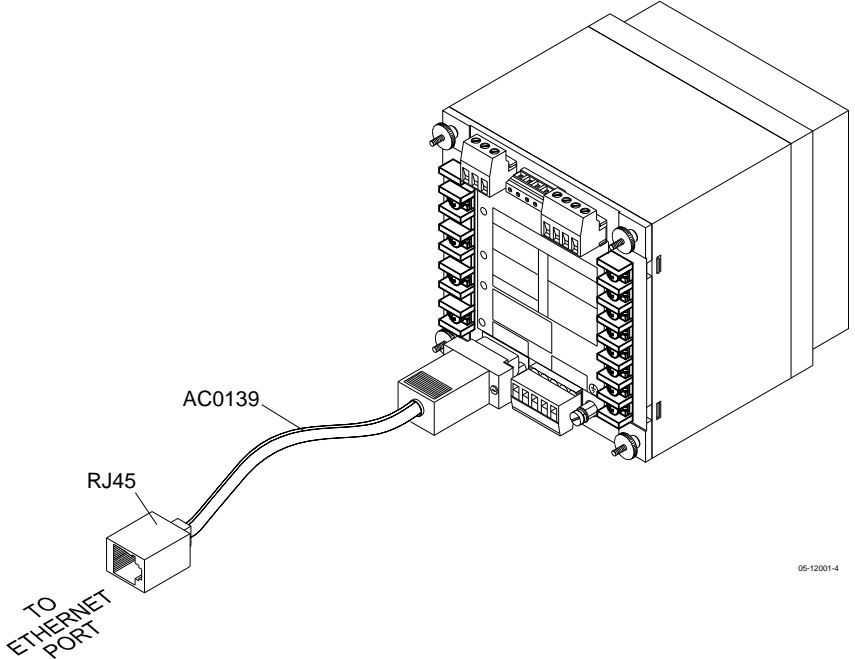


Figure 11 COM1: Ethernet Connection

Communicating via the Internet

If you are communicating through the Ethernet port, define the IP address of your meter on the network.

To define the IP address:

1. On the Instrument Setup tab, select Internet Site.
2. Click on the Connection tab.
3. Select the IP Address and type in the IP address of your meter. The default IP address preset at the factory is 192.168.0.203.
4. In the Protocol box, select the communications protocol for the TCP port. The meter can provide Modbus/TCP connections on TCP port 502 and DNP3/TCP connections on port 20000. The host port is set automatically as you select the protocol. Select Modbus RTU for Modbus/TCP or DNP3 for DNP3/TCP.
5. In the Wait for Answer box, adjust the time that PAS waits for a connection before announcing an error and the number of retries PAS uses to receive a response from the device if communications fail.

Input and Output Ratings

3 voltage inputs	690 V: (standard)	DIRECT INPUT - Nominal: 690V line-to-line voltage, 790V maximum; 400V line-to-neutral, 460V maximum - Burden: <0.4 VA. INPUT USING PT - Burden: <0.15 VA
	120 V: (optional)	INPUT USING PT - Nominal: 120V line-to-line voltage, 144V maximum - Burden: <0.04 VA
	Voltage input terminals	Maximum wire section: 4 mm ² (10 AWG)
3 current inputs (Galvanically isolated)	5A: (standard)	INPUT VIA CT with 5A secondary output - Burden: 2.5 to 4 mm ² (13-11 AWG) wire from CT. Operating range: continuous 10A RMS Burden: < 0.1 VA Overload withstand: 15A RMS continuous, 10A RMS for 1 second.
	1A: (optional)	INPUT VIA CT with 1A secondary output - Burden: 2.5 to 4 mm ² (13-11 AWG) wire from CT. Operating range: continuous 2A RMS Burden: < 0.02 VA Overload withstand: 3A RMS continuous, 80A RMS for 1 second.
Communication port COM1	EIA RS-485 standard	Optically isolated, max. speed 115.2Kb/s
	COM1 terminals	3 x Maximum wire section: 2.5 mm ² (12 AWG)
Communication port COM1 (Optional)	Profibus	Max. speed 12 Mb/s
	Profibus terminals	5 x Maximum wire section: 2.5 mm ² (12 AWG) or using terminal to DB9 converter: P/N AC0153 REV.A2
Communication port COM2 (Optional)	Ethernet	10/100 Base T, auto adaptation speed, Max. speed 100Mb/s
	ETH connector	Shielded RJ45 cable
Power Supply (Galvanically isolated)	120/230 V AC/DC (standard)	85-265VAC, 88-290VDC; 50/60/400 Hz 9VA
	12 VDC (optional)	9.5-18 VDC
	24/48 VDC (optional)	18.5-72 VDC
	Power Supply input terminals	3 x Maximum wire section: 2.5 to 4 mm ² (13-11 AWG)